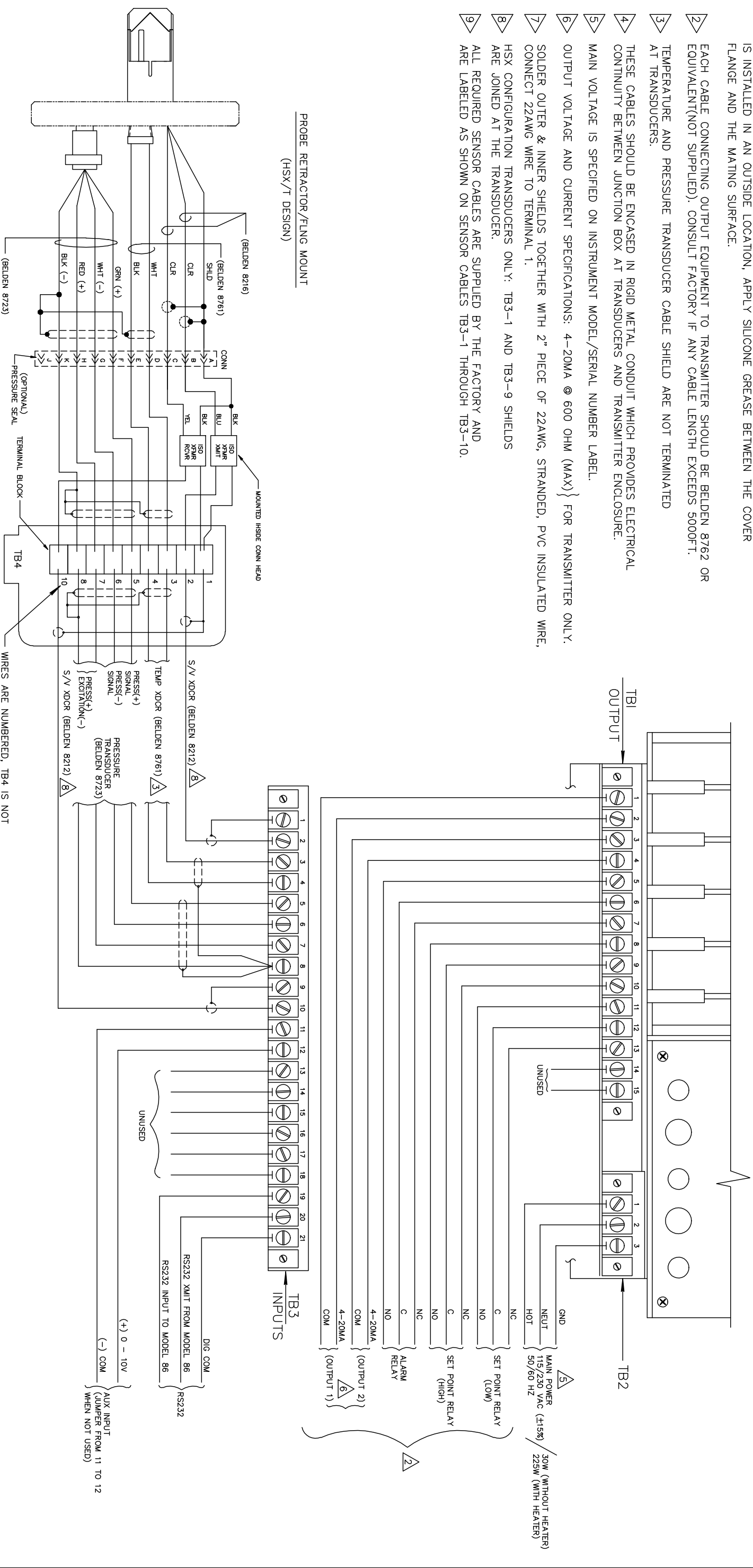


NOTES:

- 1 IN TORRID OR TROPICAL CLIMATES, DO NOT INSTALL TRANSMITTER IN DIRECT SUNSHINE. IN TEMPERATE OR SUBTROPICAL CLIMATES, DO NOT USE A DARK (ABSORBENT) COLOR WHEN REPAIRING EXTERIOR SURFACES OF TRANSMITTER ENCLOSURE. IF NEMA 7 ENCLOSURE IS INSTALLED IN AN OUTSIDE LOCATION, APPLY SILICONE GREASE BETWEEN THE COVER FLANGE AND THE MATING SURFACE.
- 2 EACH CABLE CONNECTING OUTPUT EQUIPMENT TO TRANSMITTER SHOULD BE BELDEN 8762 OR EQUIVALENT (NOT SUPPLIED). CONSULT FACTORY IF ANY CABLE LENGTH EXCEEDS 5000FT.
- 3 TEMPERATURE AND PRESSURE TRANSDUCER CABLE SHIELD ARE NOT TERMINATED AT TRANSDUCERS.
- 4 THESE CABLES SHOULD BE ENCASED IN RIGID METAL CONDUIT WHICH PROVIDES ELECTRICAL CONTINUITY BETWEEN JUNCTION BOX AT TRANSDUCERS AND TRANSMITTER ENCLOSURE.
- 5 MAIN VOLTAGE IS SPECIFIED ON INSTRUMENT MODEL/SERIAL NUMBER LABEL.
- 6 OUTPUT VOLTAGE AND CURRENT SPECIFICATIONS: 4-20MA @ 600 OHM (MAX) } FOR TRANSMITTER ONLY.
- 7 SOLDER OUTER & INNER SHIELDS TOGETHER WITH 2" PIECE OF 22AWG, STRANDED, PVC INSULATED WIRE, CONNECT 22AWG WIRE TO TERMINAL 1.
- 8 HSX CONFIGURATION TRANSDUCERS ONLY: TB3-1 AND TB3-9 SHIELDS ARE JOINED AT THE TRANSDUCER.
- 9 ALL REQUIRED SENSOR CABLES ARE SUPPLIED BY THE FACTORY AND ARE LABELED AS SHOWN ON SENSOR CABLES TB3-1 THROUGH TB3-10.



Field Wiring Diagram MODEL 86 PID

ENGR. REF.: 86FWDPID.DWG

REV: A

10/9/98